

## TELEPERM M / ME – Gateway and Process Data Collection

### Your Entrance to Standard Solutions

#### Conservation of value and protection of investment

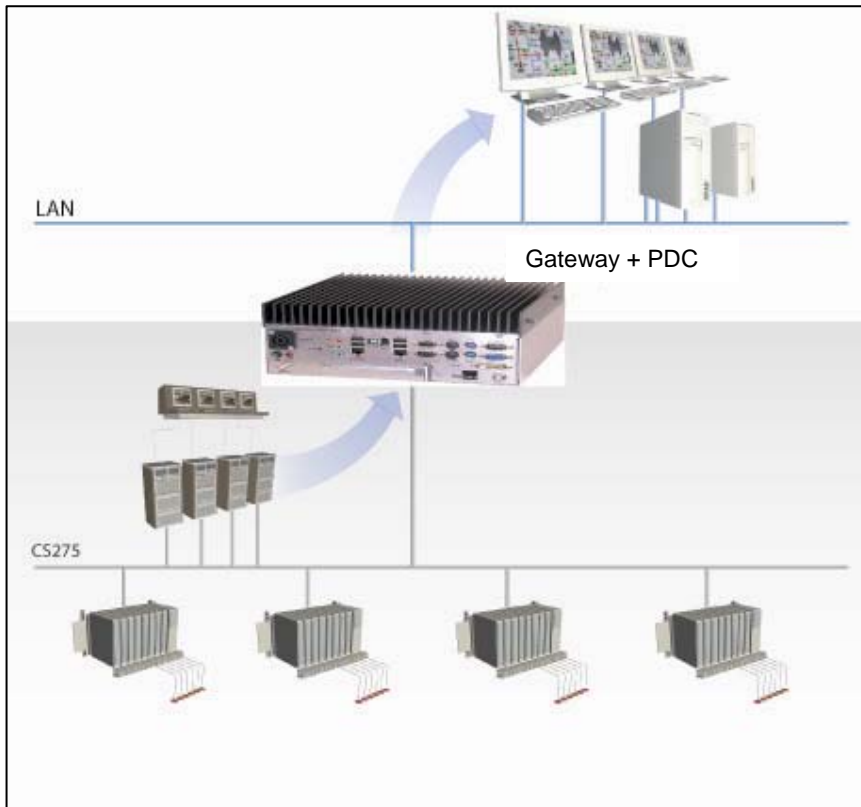
Only a long service life for a process automation system ensures high profitability. Process computers and operator stations on the process control level not only age faster than boilers, furnaces and machines, but neither can they keep up with the lifetime of the plant automation equipment. Up-to-date functionality and new ergonomic designs for user interfaces, and new concepts in the data exchange with other systems make it necessary to modernize the process control level before the components of the automation level are in need of replacement.

Conclusion: The process control level is due for modernization. Yet, this retrofitting must be achieved without intervention in the existing automation scheme.

#### Our solution: The CS275 gateway and process data collection

With our CS275 gateway solution we open the automation level for the data exchange with industry-independent standard systems.

The TELEPERM automation systems are now able to communicate with the process visualization and control level in the same way as they do with the TELEPERM OS / IS systems.



#### And what are the benefits?

- ✓ Open system structure for the data exchange with other systems
- ✓ Cost-effective, low risk step-by-step modernization approach
- ✓ Use of commercial off-the-shelf technology (operator control and monitoring systems, trend indication, archiving)
- ✓ Reduced maintenance and modification cost

With the use of standard visualization systems, the process control level is based on standard technology and thus directly benefits from new developments in information technology. Individual components and functions can be replaced and expanded at any time within the life cycle - always with the best technology that is available today.

# CS275 Gateway and Process Data Collection

## Technical Highlights

### The CS275 gateway

The CS275 is an unattended, rugged industrial-type black box with the following integrated features:

- N-PCI local bus interface module for the communication with the CS275 system bus
- 1 Gbit Ethernet-LAN interface for the connection to the master computers
- Diagnostic and statistic functions
- Embedded Windows XP operating system

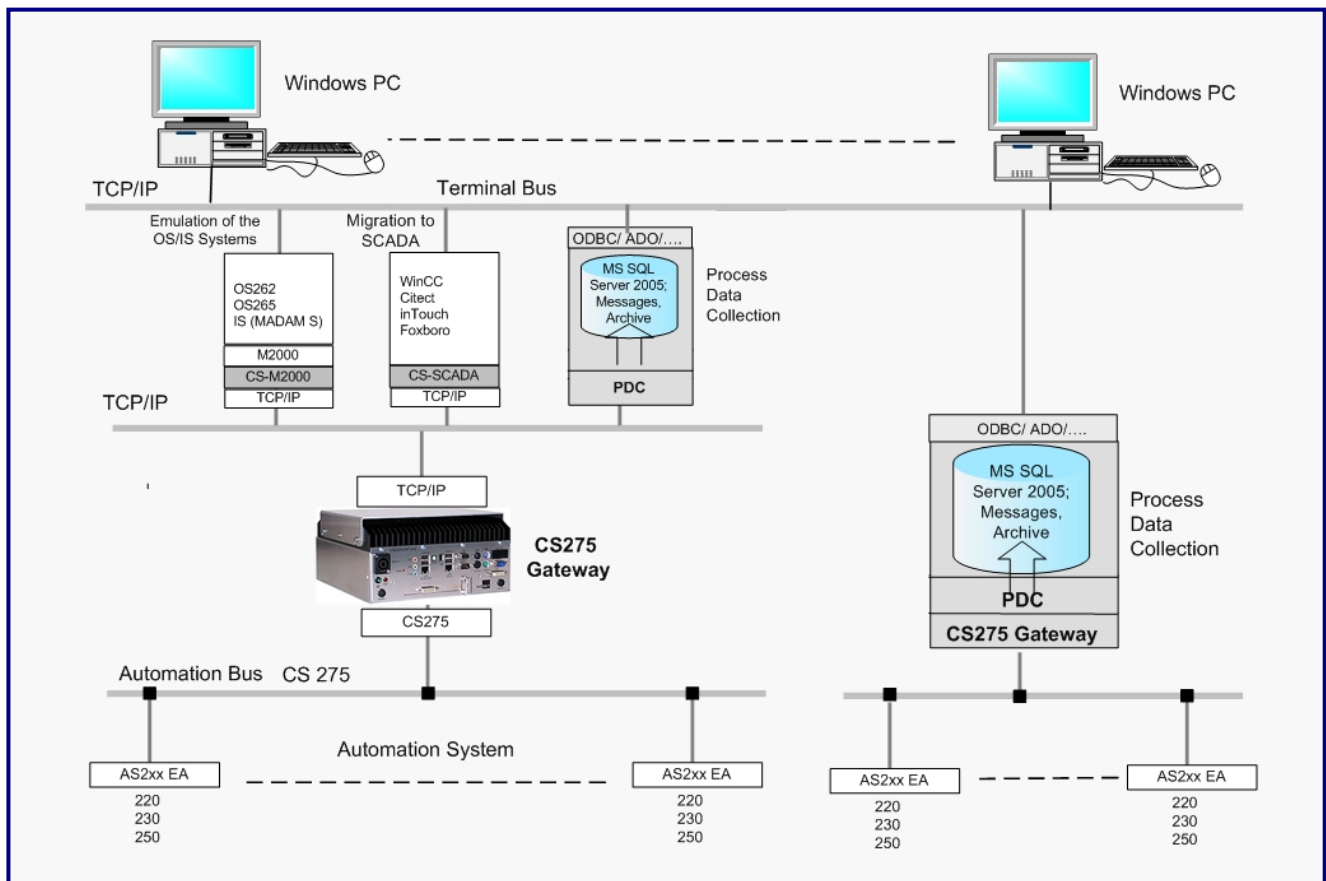
The 'transparent' gateway converts the entire data traffic of the CS275 bus system to the TCP / IP standard without the least delay.

And for the gateway it is irrelevant what type of TELEPERM M / ME automation system is connected to the system bus.

### The CS275 PDC server

The CS275 PDC is an industrial-type server with Windows operating system and MS SQL database. The server collects analog signals (AKS) and messages (MKS) via the CS275 bus and archives this information on a cyclic basis in MS SQL server tables. These tables can be accessed by standard access methods for MS SQL server based on TCP/IP transmission. Process data can thus be easily transferred to third-party systems. Standard browsers (such as Internet Explorer) can be used for the indication of messages (coming, going, acknowledged) and the display of graphs in graph windows.

A user administration is available for assigning user rights and permissions.



### Driver blocks

The supported TELEPERM system functions are implemented in driver blocks.

The driver blocks are the optimally adapted access functions of the corresponding process control system for the communication with the TELEPERM M / ME automation systems and their modules.

The original specifications of the "old" automation systems are no longer relevant in the new process control system.

### Supported process control systems

- Systems emulated with M2000:
  - TELEPERM OS - 262,
  - TELEPERM OS - 265
  - IS- (MADAM S)
- Siemens SIMATIC WinCC, other systems on inquiry.
- CS275 PDC server

For further information, please contact our branch in Erlangen. We will be pleased to help you with the commissioning of your system and can offer you a fixed price hotline service. Please don't hesitate to contact us if you have any queries!