

TELEPERM M / ME - Gateway

Your Entrance to Standard Solutions

Conservation of value and protection of investment

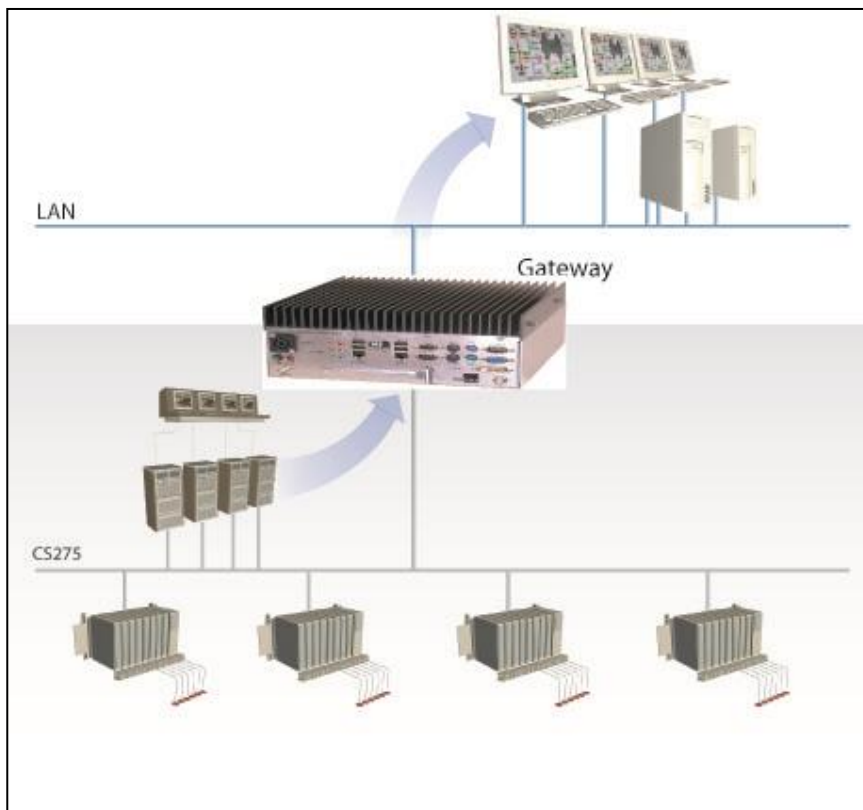
Only a long service life for a process automation system ensures high profitability. Process computers and operator stations on the process control level not only age faster than boilers, furnaces and machines, but neither can they keep up with the lifetime of the plant automation equipment. Up-to-date functionality and new ergonomic designs for user interfaces, and new concepts in the data exchange with other systems make it necessary to modernize the process control level before the components of the automation level are in need of replacement.

Conclusion: The process control level is due for modernization. Yet, this retrofitting must be achieved without intervention in the existing automation scheme.

Our solution: The CS275 gateway

With our CS275 gateway solution we open the automation level for the data exchange with industry-independent standard systems.

The TELEPERM automation systems are now able to communicate with the process visualization and control level in the same way as they do with the TELEPERM OS / IS systems.



And what are the benefits?

- ✓ Open system structure for the data exchange with other systems
- ✓ Cost-effective, low risk step-by-step modernization approach
- ✓ Use of commercial off-the-shelf technology (operator control and monitoring systems, trend indication, archiving)
- ✓ Reduced maintenance and modification cost

With the use of standard visualization systems, the process control level is based on standard technology and thus directly benefits from new developments in information technology.

Individual components and functions can be replaced and expanded at any time within the life cycle - always with the best technology that is available today.

CS275 Gateway

Technical Highlights

The CS275 gateway

The CS275 is an unattended, rugged industrial-type black box with the following integrated features:

- N-PCI local bus interface module for the communication with the CS275 system bus
- 1 Gbit Ethernet-LAN interface for the connection to the master computers
- Diagnostic and statistic functions
- Embedded Windows operating system

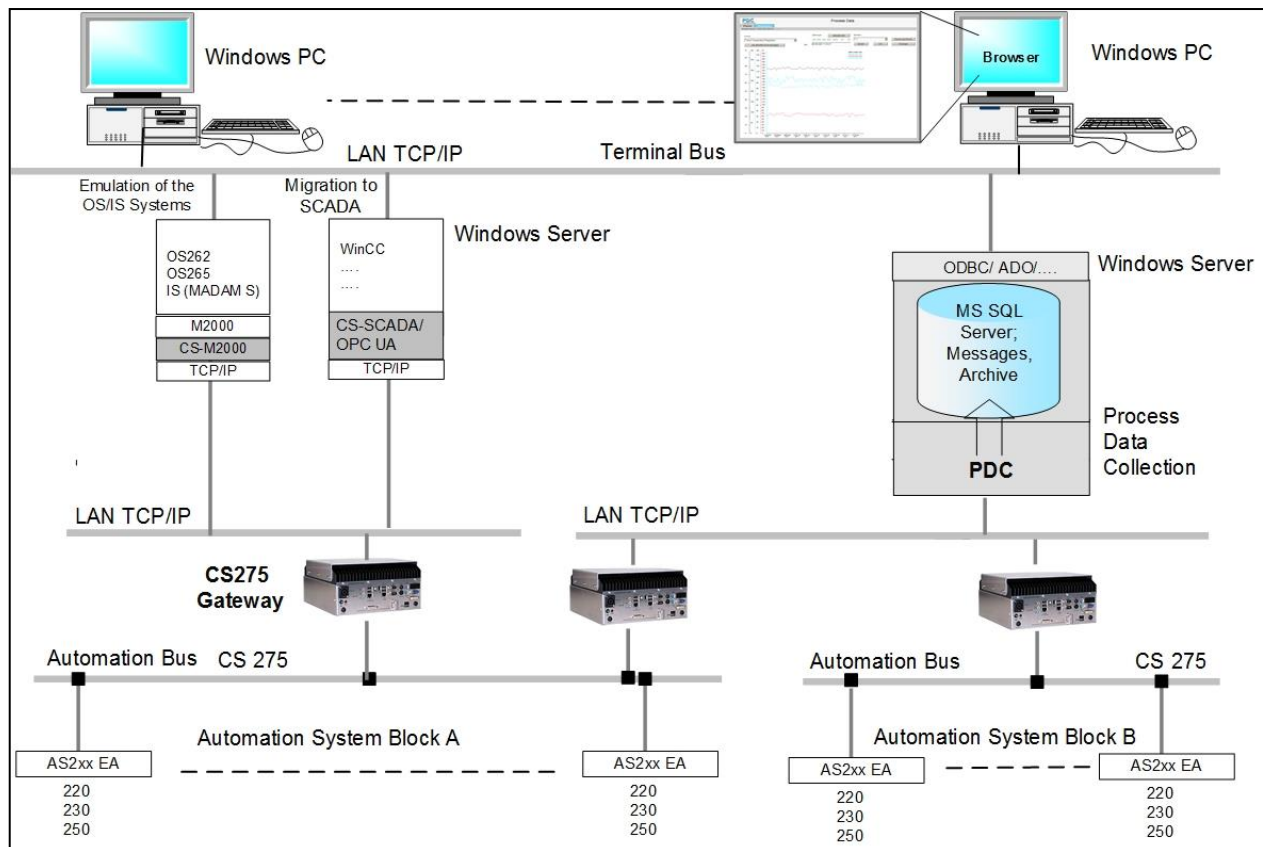
The 'transparent' gateway converts the **entire** data traffic of the CS275 bus system to the TCP / IP standard without the least delay (**send and receive**).

And for the gateway it is irrelevant what type of TELEPERM M / ME automation system is connected to the system bus.

Supported TELEPERM system functions

All types of jobs for TELEPERM M and TELEPERM ME automation systems are processed, such as:

- Log on / log off
AKS, BKS, MKS, Status or BST, ZTT.
- Acyclic MKS messages
- Cyclic AKS, BKS messages
- Status messages, BST- ZTT messages
- Y-function
- Y-startup
- Read/Write parameters
- Clock synchronization
- Sign-of-life monitoring



Driver blocks, OPC UA

The supported TELEPERM system functions are implemented in driver blocks.

The driver blocks are the optimally adapted access functions of the corresponding process control system for the communication with the TELEPERM M / ME automation systems and their modules.

OPC UA server interface is available as option.

Supported process control systems

- Systems emulated with M2000:
 - TELEPERM OS - 254,
 - TELEPERM OS - 265
 - IS- (MADAM S)
- Siemens SIMATIC WinCC
- Other systems on inquiry

For further information, please contact our branch in Erlangen. We will be pleased to help you with the commissioning of your system and can offer you a fixed price hotline service. Please don't hesitate to contact us if you have any queries!